

Product Information

► Transmitter

Temperature transmitter DIN measuring head:

Typ: TR I Pt100 1



- General function

The serie TR temperature transmitter converts the Pt100 sensor resistance signal (measuring temperature dependent) into a standard analog signal.

- Application

Temperature measurement of solid, liquid and gaseous media. Signal generation for an extensive evaluation system.

- Basic Information

The analog signal is generated over a current loop of load and voltage supply.

(Figure 1)

- Advantages

- High-stability analog signal.
- Compact design with IP65 protection class
- Precision: $<\pm 1\%$

Product Information

► Transmitter

Temperature transmitter DIN measuring head:

Typ: TR | Pt100 1

Connection head wiring scheme:

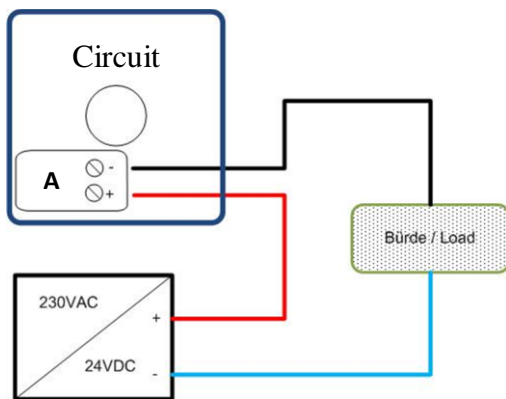


Figure 1

Pt100 sensor wiring scheme:

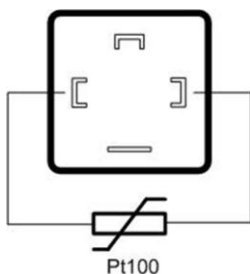


Figure 2

Graphic measures illustration:



Figure 3

- Technical Data

Supply voltage:

- 7,5 - 36V DC (integrated reverse polarity protection)
- Current consumption: max. 35mA

Sensor input:

- Pt100 2-Leiter
- Measuring current: 0,8mA
- Wiring scheme: (Figure 2)

Output:

- Analog output: 4 - 20mA, linear
 - Sensor break: > 24 mA
 - Short circuit: < 2,6 mA
 - Linearity error: < ± 1%
 - Bürde / Load: 0 – 1500 Ohm (7,5 – 36VDC)
- Connections: Screw terminal (A), on circuit board pluggable (Figure 1)

Measuring range:

- 0°C ... 100°C
- 0°C ... 200°C (Standard)
- -50°C ... 100°C
- -50°C ... 200°C

Operating temperature range:

- -20 - +65°C

Housing measures / Weight: (Figure 3)

- DIN Connection head / Rectangular connectors
- Measures: 70 x 34,5 x 40
- Weight < 0,1kg
- Black / Transparent cover.
- DIN EN 175 301 – 803-A
- 3D Model available

Cable gland:

- M20

Accessories:

- See order nomenclature page.

Product Information

► Transmitter





Temperature transmitter DIN measuring head:

Typ: TR | Pt100 1

Order nomenclature:

TR	I	Pt100	2
<p>Analog output: I (Current: 4 ... 20mA)</p> <p>Sensor type: Pt100</p> <p>Temperature range: 1 (0°C ... 100°C) 2 (0°C ... 200°C) 3 (-50°C ... 100°C) 4 (-50°C ... 200°C)</p>			

Accessories:

Product name:	Device plug	Profile seal	Screw-in probe	Temperaturfühler komplett
Description:	3-polig + PE, M20-Screw thread M20 incl. sealing ring	Flat gasket for cable socket	Client's choice	Client's choice
Graphic illustration:				
Reissmann item code	004094	004095	-	-

Responsibility:

No responsibility will be accepted for thermistors which have not been installed and tested according to the relevant standards as previously listed in our data sheet.

Due to the ongoing research and development program, product specification may be subject to change, at the manufacturers discretion.

For further advice and information contact: